



WayPoint562

High Current

Outdoor Power Supply/Charger

Installation Guide



Rev. 062117

More than just power.™

Installing Company: _____ Service Rep. Name: _____

Address: _____ Phone #: _____

Overview:

Altronix WayPoint562 provides 120W for NetWay Spectrum switches with 1Gb SFP ports. It converts 115VAC, 60Hz or 230VAC, 50Hz input into a 56VDC at 2.2A of continuous supply current (*see specifications*). It also features a built-in charger for sealed lead acid or gel type batteries.

Specifications:

Agency Listing:

- CE European Conformity.

Input:

- 115VAC, 60Hz, 2.5A or 230VAC, 50Hz, 1.3A.

Output:

- 56VDC/120W output.
- 2.2A continuous supply current.
- Filtered and electronically regulated output.
- Short circuit and thermal overload protection.

Battery Backup:

- Built-in charger for sealed lead acid or gel type batteries.
- Battery charging circuit: 48VDC, 0.7A.
- Automatic switch over to stand-by battery when AC fails.
- Battery leads included.

Electrical:

- System AC input VA requirement: 300VA.

Mechanical:

- NEMA 4/4X, IP66-11 Rated enclosure for outdoor use.
- Lightweight molded fiberglass reinforced polyester enclosure is corrosion resistant and does not contain halogens.
- Lockable stainless steel latches.
- Integral flanges simplify wall or pole mounting.

Enclosure Dimensions (H x W x D approx.):

13.31" x 11.31" x 5.59"
(338.1mm x 287.3mm x 142mm).

Accessories:

- Optional PMK1 Pole Mount Kit simplifies installation of outdoor units.

Installation Instructions:

Wiring methods should be in accordance with the National Electrical Code/NFPA 70/NFPA 72/ANSI, and with all local codes and authorities having jurisdiction. Use 14 AWG or larger for all power connections. This unit does not have any serviceable parts.

1. Remove backplane from the enclosure prior to mounting (do not discard hardware).
2. Mark and drill desired inlets on the enclosure to facilitate wiring (*Fig. 1, pg. 3*).
3. Mount unit in the desired location. Refer to *Pg. 7* for pole or wall mounting instructions.
4. Mount backplane to the enclosure with hardware.
5. To facilitate wire entry utilize weather tight NEMA 4 rated connectors, bushings and cable.
6. Set PoE201 to the proper AC input voltage via input voltage switch (*Fig. 2a, pg. 4*).
7. Connect AC power from overcurrent protective device circuit breaker (20A @ 115VAC, 60Hz, 16A @ 230VAC, 50/60Hz) as follows: Green branch wire connects to earth (safety) ground (⊕), Line connects to the terminal marked [L] and Neutral connects to the terminal marked [N] on power supply board (*Fig. 2, pg. 4*). Use 14AWG or larger for all power connections (Battery, DC output, AC input).

Keep power-limited wiring separate from non power-limited wiring (115VAC/230VAC 50/60Hz Input, Battery Wires). Minimum 0.25" spacing must be provided.

CAUTION: Do not touch exposed metal parts.

Shut branch circuit power before installing or servicing equipment.

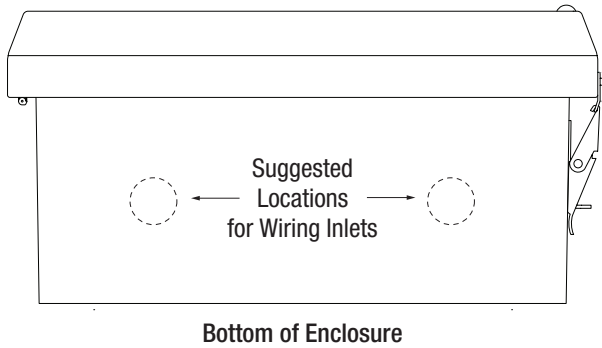
CAUTION: Equipment to be installed / serviced by authorized / trained personnel only.

There are no user serviceable parts on unit.

8. Measure output voltage before connecting devices. This helps avoiding potential damage.
9. Connect devices to be powered to the terminals marked [- DC +].
10. **Battery Backup** (if desired): Connect four (4) 12VDC batteries wired in series to terminals marked [- BAT +] (*Fig. 2, pg. 4*), carefully observing polarity.
When use of stand-by batteries is desired, they must be lead acid or gel type.
Note: When batteries are not used, a loss of AC will result in the loss of output voltage.
11. Upon completion of wiring secure enclosure door with latches and optional lock.

WARNING: When installing in a non-restricted service area use lock or other fastened means on door latches. This installation should be made by qualified service personnel and should conform to the National Electrical Code and all local codes.

Fig. 1



Technical Specifications:

Parameter	Description
Input power requirements	115VAC, 60Hz, 2.5A or 230VAC, 50/60Hz, 1.3A.
Environmental Conditions	Operating Ambient Temperature: 60W: – 40°C to 75°C (– 40°F to 167°F); 75W: – 40°C to 70°C (– 40°F to 158°F); 100W: – 40°C to 55°C (– 40°F to 131°F); 120W: – 40°C to 45°C (– 40°F to 113°F). Relative Humidity: 85%, +/- 5%. Storage Temperature: – 40°C to 85°C (– 40°F to 185°F). Operating Altitude: – 304.8 to 2,000m.
Weights (approx.)	Product weight: 8.5 lb. (3.9 kg) Shipping weight: 9.7 lb. (4.4 kg).

Terminal Identification:

Terminal Legend	Function/Description
L, G, N	Connect 115VAC/230VAC to these terminals: L to Hot, N to Neutral.
– DC +	56VDC @ 2.2A continuous supply current.
– BAT +	Stand-by battery connections. Maximum charge rate 0.7A.



The lightning flash with arrowhead symbol within an equilateral triangle is intended to alert the user to the presence of an insulated DANGEROUS VOLTAGE within the product's enclosure that may be of sufficient magnitude to constitute an electric shock.



The exclamation point within an equilateral triangle is intended to alert the user to the presence of important operating and maintenance (servicing) instructions in the literature accompanying the appliance.

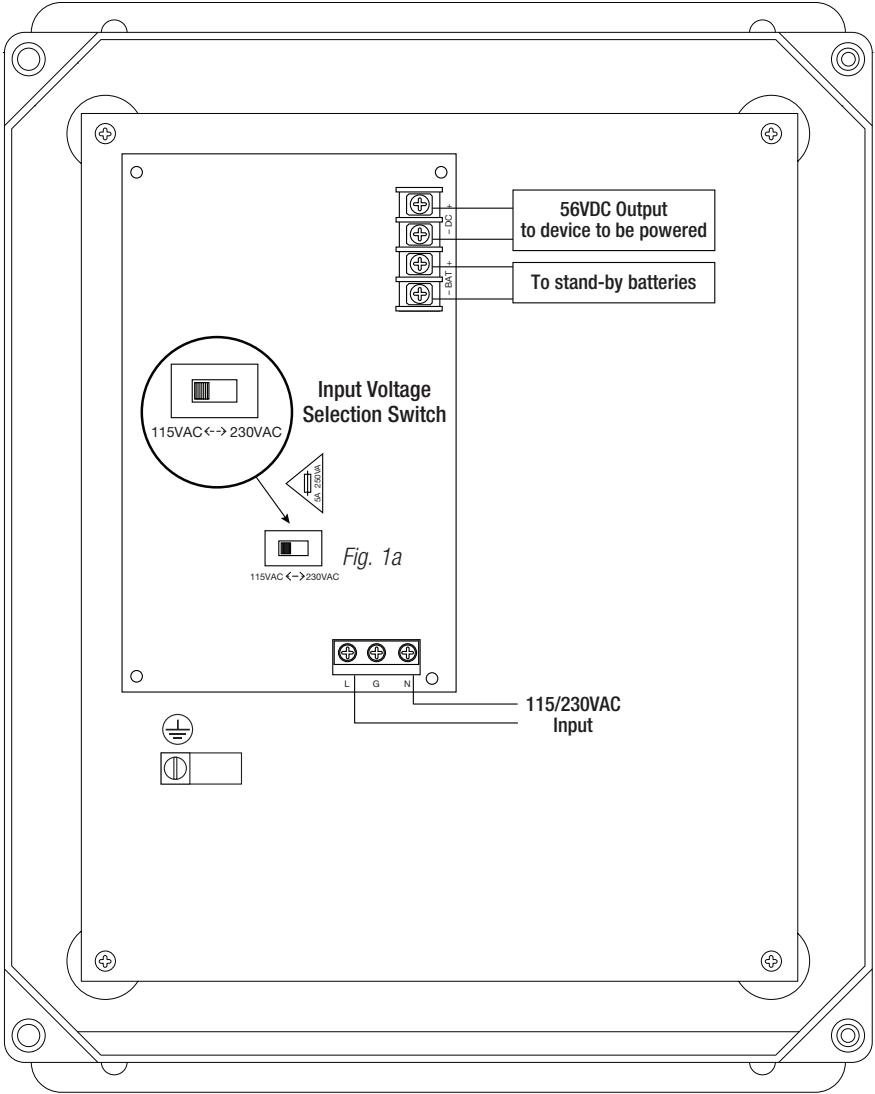


CAUTION
RISK OF ELECTRIC SHOCK
DO NOT OPEN



CAUTION: To reduce the risk of electric shock do not open enclosure. There are no user serviceable parts inside. Refer servicing to qualified service personnel.

Fig. 2 - WayPoint562



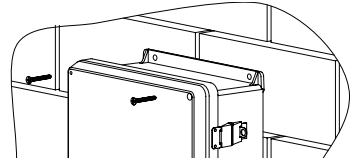
Notes:

Notes:

Wall Mount Installation

- 1- Place unit at desired location and secure with mounting screws (not included) (Fig. 3, pg. 7).

Fig. 3



Pole Mounting Using Optional Pole Mount Kit PMK1 (not included):

This installation should be made by qualified service personnel. This product contains no serviceable parts. PMK1 is intended for use with Altronix outdoor rated power supplies or accessories housed in WP1, WP3 and WP4 enclosures. Brackets are designed for use with the Wormgear Quick Release Straps (two included).

1. Thread one (1) wormgear quick release strap through the slots on the back of a mounting bracket (Fig. 4, pg. 7).
2. Once the desired height of the top Pole Mount bracket is achieved, tighten the straps down by sliding open end of the strap through the locking mechanism on the strap, then tighten the screw with flat head screwdriver or 5/16" hex socket driver (Fig. 5, pg. 7 and Fig. 7, pg. 7).

Fig. 4

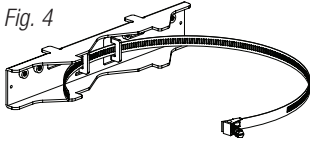


Fig. 5

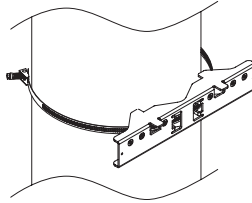
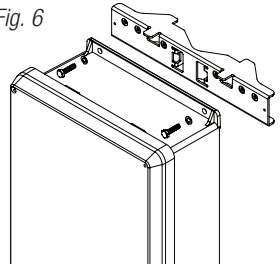


Fig. 6



3. Attach the bottom bracket to the enclosure by inserting bolts through the flange of the enclosure and into the bracket, tightening bolts with a 7/16" hex socket (Fig. 6, pg. 7).
4. Thread the second wormgear quick release strap through the slots on the back of the bottom mounting bracket (Fig. 5, pg. 7).
5. Mount enclosure onto the top bracket by inserting bolts through flange of the enclosure and into the bracket, tightening bolts with a 7/16" hex socket (Fig. 6, pg. 7).
6. Tighten the straps of the bottom bracket down by sliding the open end of the strap through the locking mechanism on the strap, then tighten screw with flat head screwdriver or 5/16" hex socket driver (Fig. 7, pg. 7).
7. Clip excess straps.

Fig. 7

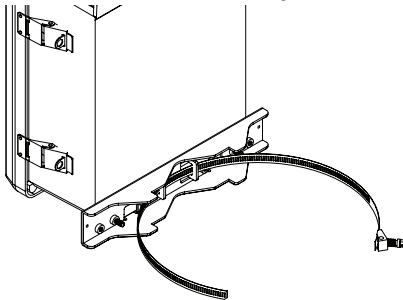


Fig. 8
2" to 8" (50.8mm to 203.2mm)
diameter round pole

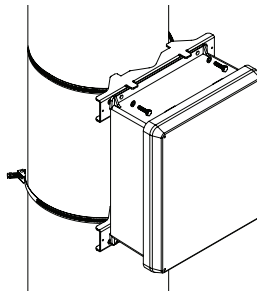
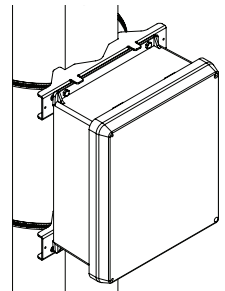


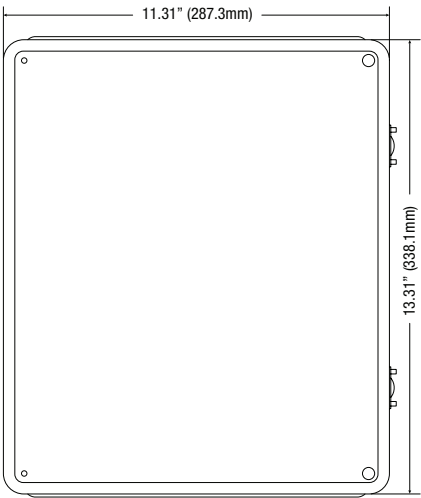
Fig. 8a
5" (127mm) square pole
diameter round pole



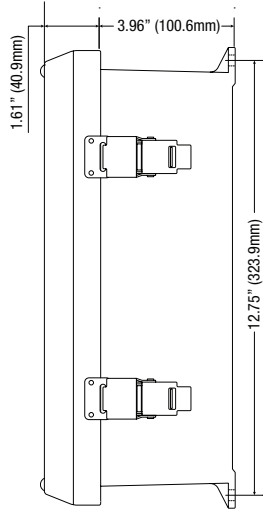
Enclosure Dimensions (H x W x D approx.):

13.31" x 11.31" x 5.59" (338.1mm x 287.3mm x 142mm)

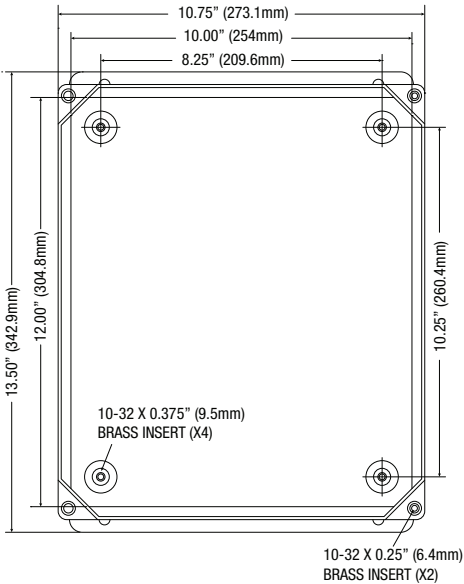
FRONT VIEW



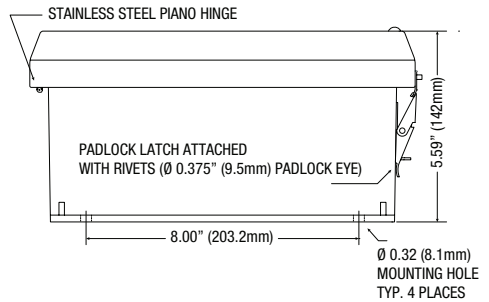
RIGHT SIDE VIEW



FRONT VIEW COVER REMOVED



END VIEW



Altronix is not responsible for any typographical errors.

140 58th Street, Brooklyn, New York 11220 USA | phone: 718-567-8181 | fax: 718-567-9056
 website: www.altronix.com | e-mail: info@altronix.com | Lifetime Warranty
 IWayPoint562 109U

