

NetWaySP4BTWPX

4-port Outdoor Hardened 4PPoE (802.3bt) Switch with Integral Power



Altronix NetWaySP4BTWPX supports up to 90W per port (240W total power) for deploying the latest high-powered IP devices in remote locations. It is equipped with two (2) 1Gb SFP ports to transmit data at long distances and four (4) 802.3bt compliant Ethernet ports. NetWaySP4BTWP accommodates single/multi-mode fiber or composite cable (fiber+copper) to simultaneously deliver power and data from NetWay Spectrum head-end media converters/injectors. Embedded LINQ Technology allows to monitor, control, and report power and diagnostics from anywhere.



NetWaySP4BTWPX

Key Features

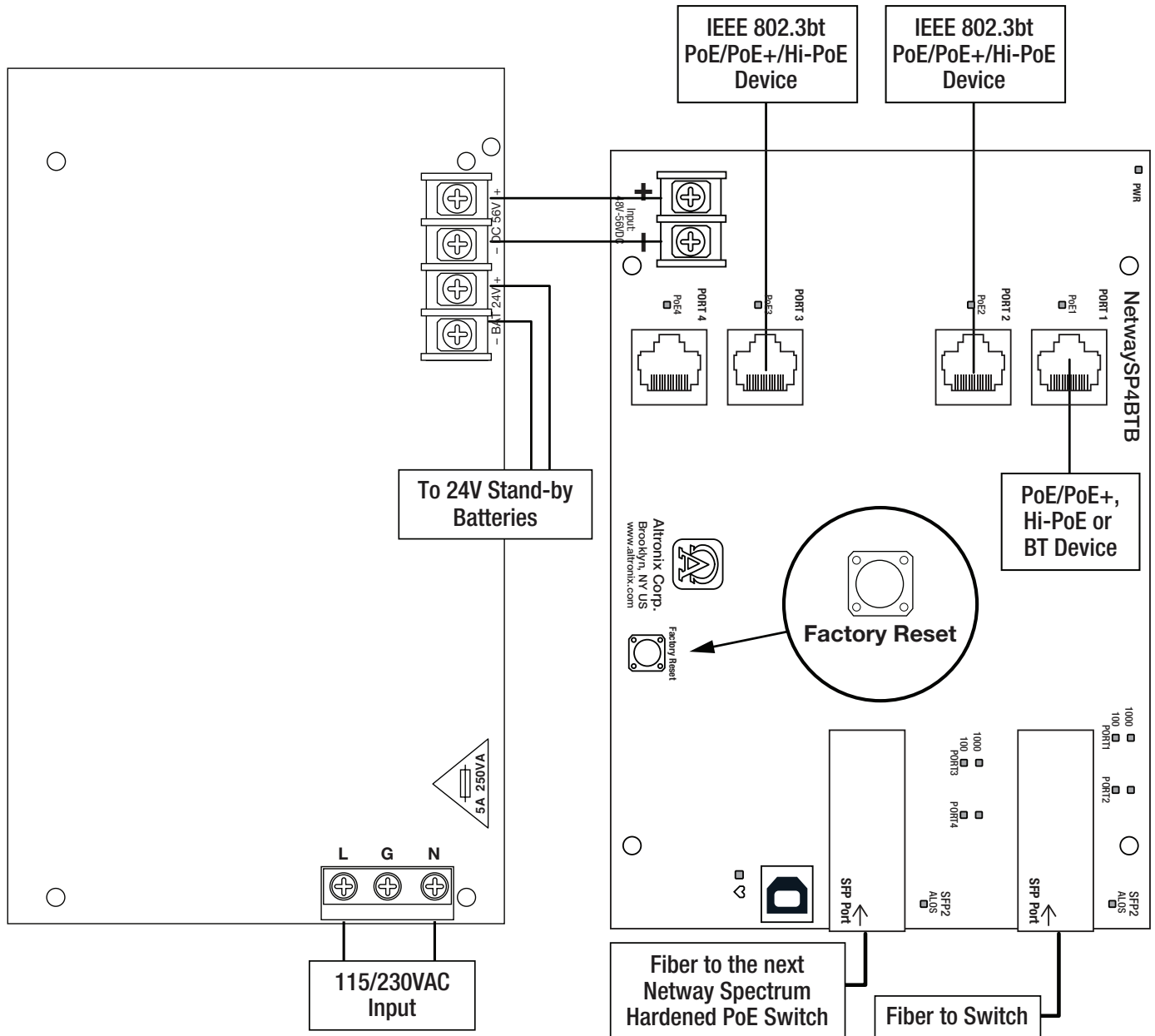
- Four (4) 10/100/1000 Mbps Ethernet ports rated at 90W each (limited to 240W total power)
- IEEE 802.3af, 802.3at, 802.3bt compliant
- Two (2) Gigabit SFP ports
- VLAN (Virtual Local Area Networks) subnetwork allows for the grouping together of devices for improved network traffic and higher security
- Built-in charger for LiFePO₄ (Lithium Iron Phosphate) or sealed lead acid or gel type batteries
- CE European Conformity
- NEMA 4/4X, IP66-11 enclosure accommodates batteries
- LINQ Technology:
 - Remote network management allows for camera/device reset and diagnostic monitoring
 - Provides local and/or remote access to critical information via LAN/WAN
 - Email and Windows Dashboard Alert notifications report real-time events
 - Event log tracks history

Similar products

NetWaySP4BTWP	Outdoor 4-port Hardened 4PPoE Switch with Integral Power in NEMA 4/4X, IP66-11 enclosure
NetWaySP4BTWPN	Outdoor 4-port Hardened 4PPoE Switch in NEMA 4/4X, IP66-11 enclosure
NetWaySP4BTX	Indoor 4-port Hardened 4PPoE Switch in NEMA 1 Rated indoor enclosure
NetWaySP4BTPL	4-port Hardened 4PPoE Switch with Integral Power on a Backplane
NetWaySP4BTB	4-port Hardened 4PPoE Switch (board only)

Lifetime Warranty

Typical Application



Lifetime Warranty

NetWaySP4BTWPX

4-port Outdoor Hardened 4PPoE (802.3bt) Switch with Integral Power



Specifications

Input

Voltage 115VAC, 60Hz, 1.8A or 230VAC, 50/60Hz, 1A
Fusing 5A/250V

Power Output

Maximum Power Four (4) PoE ports rated at 90W each,
240W total power
IEEE 802.3af (15W), IEEE 802.3at (30W),
IEEE 802.3bt (90W) compliant
Integral surge protection

SFP Ports:

Two (2) Gigabit SFP ports

Ethernet Ports:

Four (4) 10/100/1000 Mbps ports.
Connectivity: RJ45, auto-crossover
Wire type: 4-pair CAT5e or higher
structured cable.
Speed: 10/100/1000 Mbps,
half/full duplex, auto negotiation.

Back-up Battery

Type 24VDC charging circuit charges
LiFePO₄ (Lithium Iron Phosphate) or
sealed lead acid or gel type batteries
(within enclosure, **ventilation is required**)

Failover

Upon AC loss, instantaneous

Indicators (LED)

Individual PoE On LEDs for each port
Individual IP Link status, 10/100/1000 Base-T/active LEDs for
each port
ALOS LED indicates fiber connection for SFP port
Heartbeat LED indicates proper operation of the unit

VLAN:

Multiple management VLAN assignment
802.1Q Tagged VLAN
Up to 10 VLAN groups. ID Range 2-4095

LINQ Technology:

Remote network management allows for camera/device reset
and diagnostic monitoring
Provides local and/or remote access to critical information via
LAN/WAN
Email and Windows Dashboard Alert notifications report
real-time events
Event log tracks history

Agency Listings

CE European Conformity

Physical and Environmental

Enclosure Dimensions (H x W x D approx.):

17.53" x 15.3" x 6.67" (445.3mm x 388.6mm x 169.4mm)

NEMA 4/4X, IP66-11 Rated enclosure for outdoor use

Product Weight / Shipping (approx.)

Product Weight: 15 lb. (6.8 kg)

Shipping Weight: 17.5 lb. (7.9kg)

Temperature

Operating (240W): -30°C to 55°C (-22°F to 131°F)

Operating (180W): -30°C to 65°C (-22°F to 149°F)

Operating (150W): -30°C to 75°C (-22°F to 167°F)

Storage -30°C to 85°C (-22°F to 185°F)

Relative Humidity

85% +/-5%

BTU/Hr (approx.):

61 BTU/Hr.

Operating Altitude:

-304.8 to 2,000m

Accessories (order separately)



PMK2 - Pole Mount Kit

PMK1 pole mount kit is designed to simplify installation of outdoor units.
It accommodates 2" - 8" (diameter) poles.



SFP Modules - Hot pluggable Transceivers

P1MM Multi-Mode SFP Module for distances up to 550m.

P1SM10 Single-Mode SFP Module for distances up to 10km.

P1AB2K Single Strand SFP Module for distances up to 2km.

P1GCE Copper SFP Module for distances up to 100m.



NetWaySP1A - Ethernet over Fiber Media Converter/Repeater for applications requiring an additional SFP (Fiber) Port

NetWaySP1A PoE powered media converter/repeater converts 10/100/1000 Mbps to Fiber (1000Base-X/SX/LX).

NetWaySP1A

Lifetime Warranty