

## NetWaySP4BTWP

4-port Outdoor Hardened 4PPoE (802.3bt) Switch with Integral Power



Altronix NetWaySP4BTWP supports up to 90W per port (240W total power) for deploying the latest high-powered IP devices in remote locations. It is equipped with two (2) 1Gb SFP ports to transmit data at long distances and four (4) 802.3bt compliant Ethernet ports. NetWaySP4BTWP accommodates single/multi-mode fiber or composite cable (fiber+copper) to simultaneously deliver power and data from NetWay Spectrum head-end media converters/injectors. Embedded LINQ Technology allows to monitor, control, and report power and diagnostics from anywhere.



NetWaySP4BTWP

### Key Features

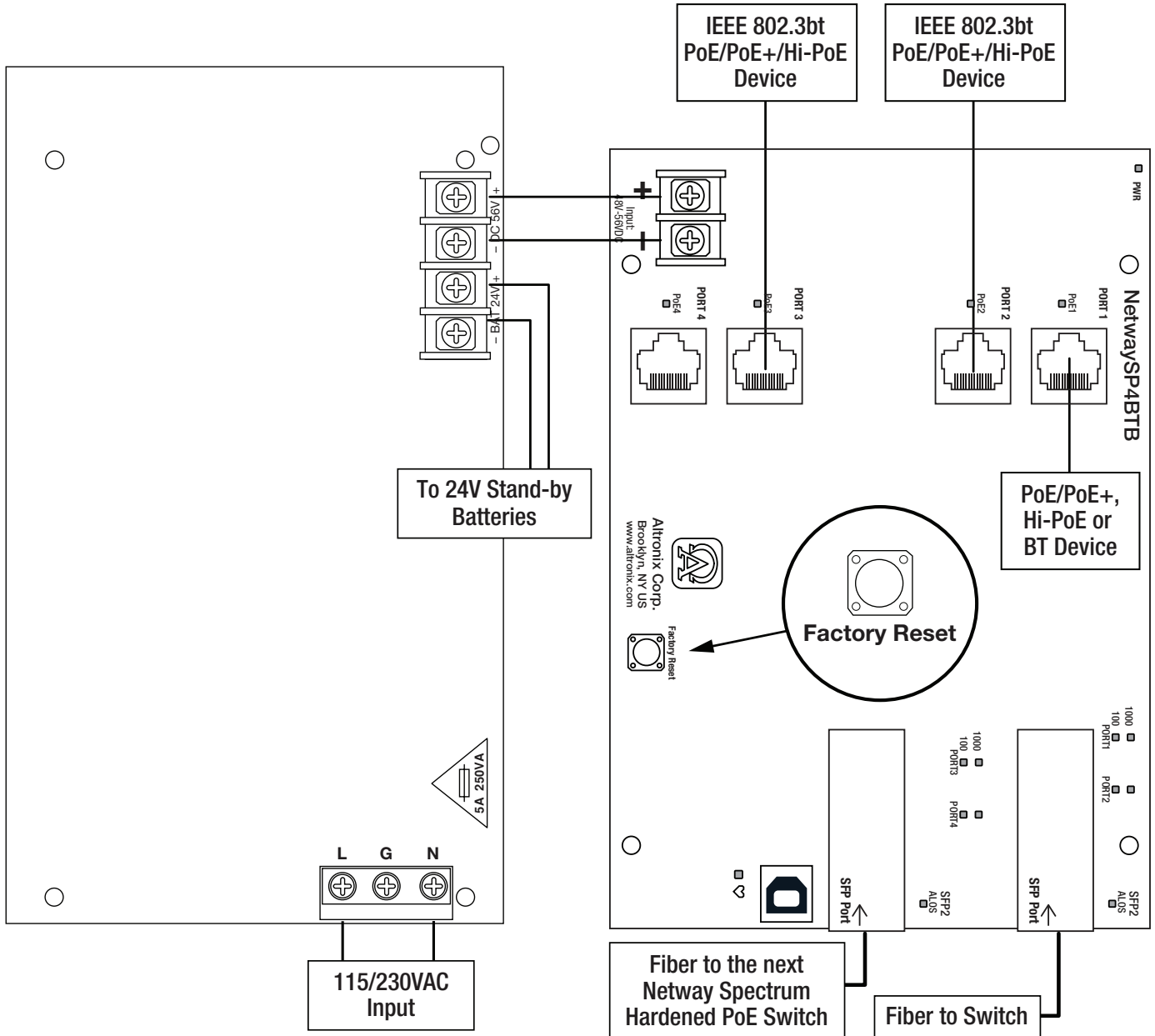
- Four (4) 10/100/1000 Mbps Ethernet ports rated at 90W each (limited to 240W total power)
- IEEE 802.3af, 802.3at, 802.3bt compliant
- Two (2) Gigabit SFP ports
- VLAN (Virtual Local Area Networks) subnetwork allows for the grouping together of devices for improved network traffic and higher security
- Built-in charger for LiFePO<sub>4</sub> (Lithium Iron Phosphate) or sealed lead acid or gel type batteries
- CE European Conformity
- NEMA 4/4X, IP66-11 enclosure
- LINQ Technology:
  - Remote network management allows for camera/device reset and diagnostic monitoring
  - Provides local and/or remote access to critical information via LAN/WAN
  - Email and Windows Dashboard Alert notifications report real-time events
  - Event log tracks history

### Similar products

<b>NetWaySP4BTWPX</b>	Outdoor 4-port Hardened 4PPoE Switch with Integral Power in NEMA 4/4X, IP66-11 enclosure which accommodates stand-by batteries
<b>NetWaySP4BTWPN</b>	Outdoor 4-port Hardened 4PPoE Switch in NEMA 4/4X, IP66-11 enclosure
<b>NetWaySP4BTX</b>	Indoor 4-port Hardened 4PPoE Switch in NEMA 1 Rated indoor enclosure
<b>NetWaySP4BTPL</b>	4-port Hardened 4PPoE Switch with Integral Power on a Backplane
<b>NetWaySP4BTB</b>	4-port Hardened 4PPoE Switch (board only)

#### Lifetime Warranty

## Typical Application



### Lifetime Warranty

# NetWaySP4BTWP

4-port Outdoor Hardened 4PPoE (802.3bt) Switch with Integral Power



## Specifications

### Input

Voltage 115VAC, 60Hz, 1.8A or 230VAC, 50/60Hz, 1A  
Fusing 5A/250V

### Power Output

Maximum Power Four (4) PoE ports rated at 90W each, 240W total power  
IEEE 802.3af (15W), IEEE 802.3at (30W), IEEE 802.3bt (90W) compliant  
Integral surge protection

### SFP Ports:

Two (2) Gigabit SFP ports

### Ethernet Ports:

Four (4) 10/100/1000 Mbps ports.  
Connectivity: RJ45, auto-crossover  
Wire type: 4-pair CAT5e or higher structured cable.  
Speed: 10/100/1000 Mbps, half/full duplex, auto negotiation.

### Back-up Battery

Type 24VDC charging circuit charges LiFePO<sub>4</sub> (Lithium Iron Phosphate) or sealed lead acid or gel type batteries (require separate ventilated enclosure)

### Failover

Upon AC loss, instantaneous

### Indicators (LED)

Individual PoE On LEDs for each port  
Individual IP Link status, 10/100/1000 Base-T/active LEDs for each port  
ALOS LED indicates fiber connection for SFP port  
Heartbeat LED indicates proper operation of the unit

### VLAN:

Multiple management VLAN assignment  
802.1Q Tagged VLAN  
Up to 10 VLAN groups. ID Range 2-4095

### LINQ Technology:

Remote network management allows for camera/device reset and diagnostic monitoring  
Provides local and/or remote access to critical information via LAN/WAN  
Email and Windows Dashboard Alert notifications report real-time events  
Event log tracks history

### Agency Listings

CE European Conformity

### Physical and Environmental

Enclosure Dimensions (H x W x D approx.):  
13.31" x 11.31" x 5.59" (338.1mm x 287.3mm x 142mm)  
NEMA 4/4X, IP66-11 Rated enclosure for outdoor use

### Product Weight / Shipping (approx.)

Product Weight: 10.5 lb. (4.76 kg)  
Shipping Weight: 11.9 lb. (5.4 kg)

### Temperature

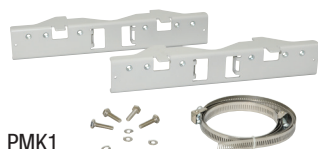
Operating (240W): -30°C to 55°C (-22°F to 131°F)  
Operating (180W): -30°C to 65°C (-22°F to 149°F)  
Operating (150W): -30°C to 75°C (-22°F to 167°F)  
Storage -30°C to 85°C (-22°F to 185°F)

Relative Humidity 85% +/-5%

BTU/Hr (approx.): 61 BTU/Hr.

Operating Altitude: -304.8 to 2,000m

## Accessories (order separately)



PMK1

### PMK1 - Pole Mount Kit

PMK1 pole mount kit is designed to simplify installation of outdoor units. It accommodates 2" - 8" (diameter) poles.



### SFP Modules - Hot pluggable Transceivers

**P1MM** Multi-Mode SFP Module for distances up to 550m.  
**P1SM10** Single-Mode SFP Module for distances up to 10km.  
**P1AB2K** Single Strand SFP Module for distances up to 2km.  
**P1GCE** Copper SFP Module for distances up to 100m.



NetWaySP1A

### NetWaySP1A -

Ethernet over Fiber Media Converter/Repeater for applications requiring an additional SFP (Fiber) Port

NetWaySP1A PoE powered media converter/repeater converts 10/100/1000 Mbps to Fiber (1000Base-X/SX/LX).

### Lifetime Warranty